

POWER SUPPLY BOARD

(162H061A) 100/117V

(162H062A) 220/240V

(pcb 052H409A)

100V,117V

F1 T-GGS2 (CSA) 2A

F2 T-GGS2 (CSA) 2A

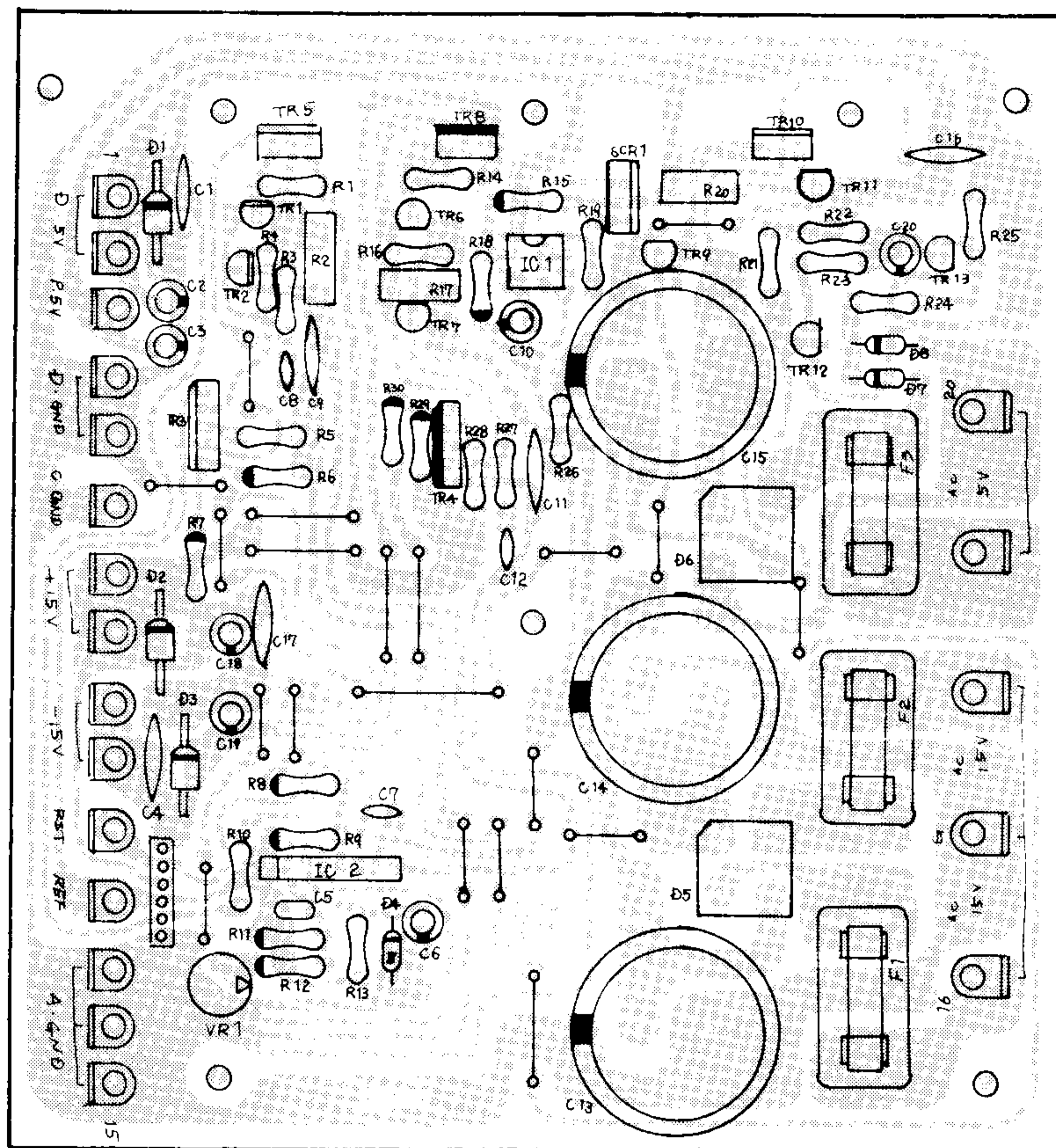
F3 T-GGS3.15 (CSA) 3.15A

220V,240V

F1 SEMKO T2A

F2 SEMKO T2A

F3 SEMKO T3.15A

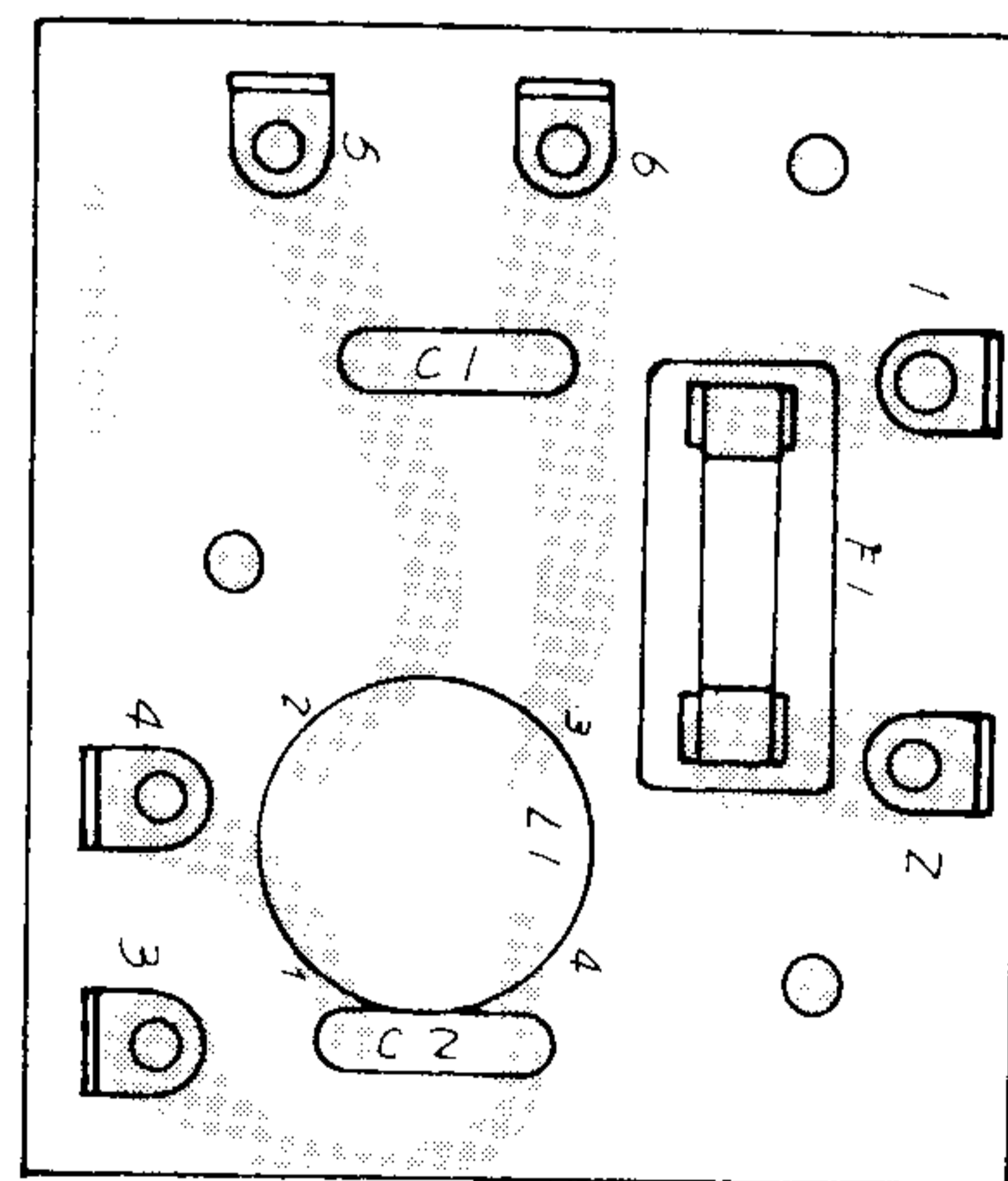


FILTER BOARD

(149H191) 100/117V

(149H192) 220/240V

(pcb 052H416)

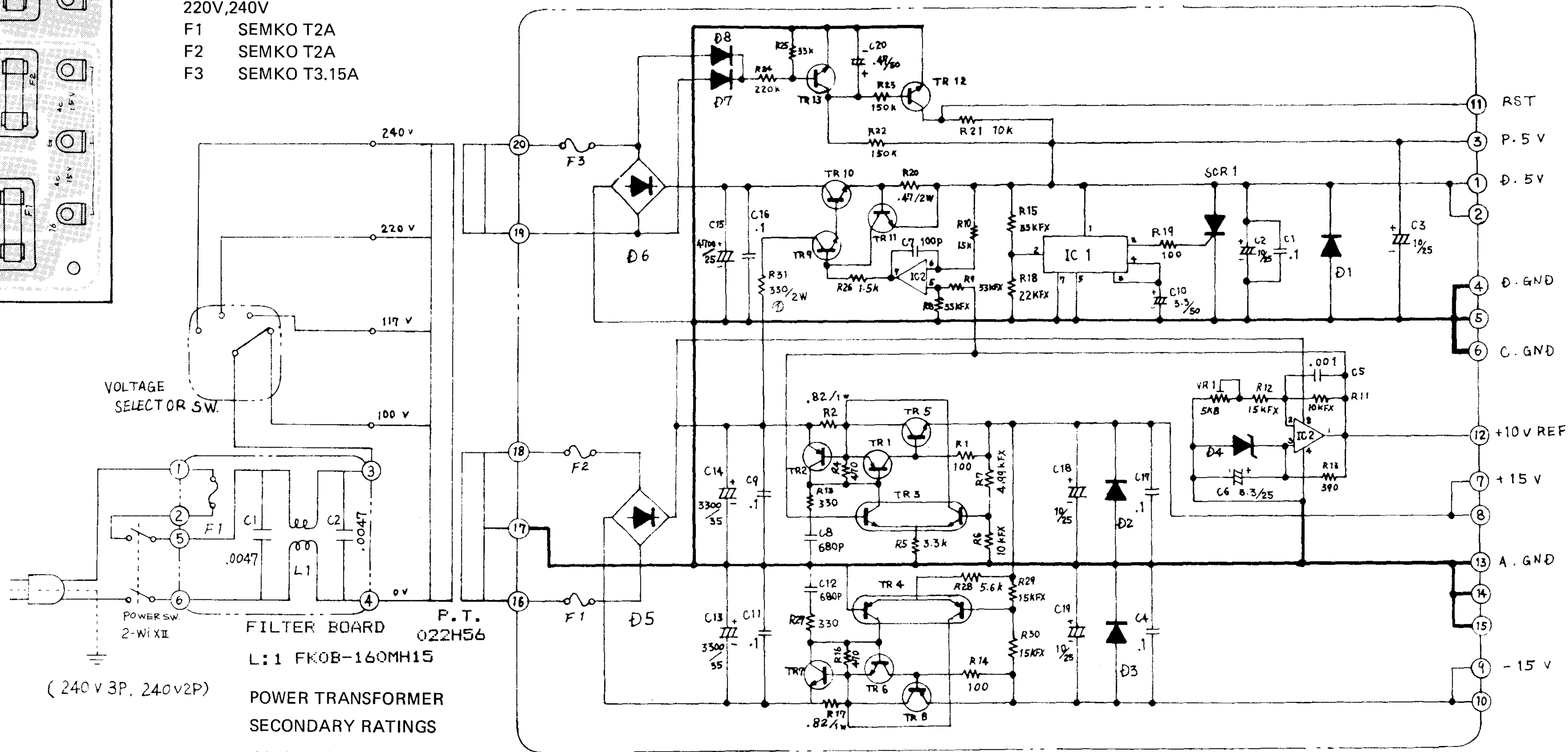


100V,117V

F1 T-GGS1 (CSA) 1A

220V,240V

F1 SEMKO T3.15mA



FILTER BOARD
 P. T. 022H56
 L: 1 FKOB-160MH15
POWER TRANSFORMER
 SECONDARY RATINGS
 ±21.5V @ 0.45 A 3300μF IN
 8.5V @ 0.7 A 4700μF IN

- IC 1 : μPC3423C
- IC 2 : M5218L
- TR 5,10 : 2SD1406
- TR 8 : 2SB1015
- TR 3 : 2SC1583
- TR 4 : 2SA798
- SCR 1 : 5P05M
- D 4 : 1SZ59
- D 5, 6 : 2B4B41
- D 1, 2, 3 : Hi-Fi SPECIAL
- D 7, 8 : 1S2473

UNLESS OTHERWISE SPECIFIED
 ALL NPN TRANSISTORS ARE 2SC2021-Q or 2SC2603-E
 ALL PNP TRANSISTORS ARE 2SA937-Q or 2SA1115-E

